

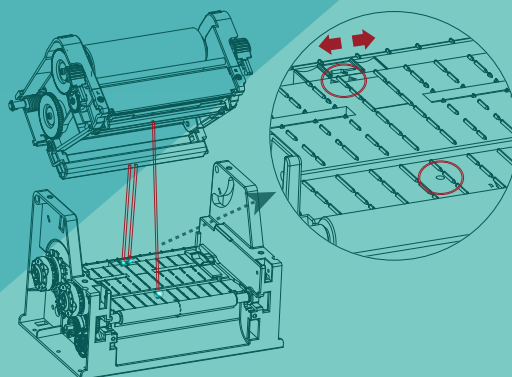
# iT4P



Professional thermal transfer desktop barcode printer with 300-meter ribbon supported



- Print speed up to 8 ips.
- With the unique dual transmissive sensors for accurate positioning and efficient printing.
- The modular design of printer head makes the disassembly and assembly easy.
- With the function to automatically identify the printer head with 203 dpi and 300 dpi and automatically configure the printer without PC settings.
- With super large storage, DDR2 RAM 128 MB, Flash 256 MB.
- Support multiple interfaces, USB HOST, serial interface, B-type USB, Ethernet port for standard, Wi-Fi and Bluetooth module for optional.
- 3.5-inch color LCD screen supports touch, can easily achieve offline operation with USB HOST.
- Cool black housing, with printer mechanism, stable and durable.
- With various media to meet the demand of wide area
- With free label editing software Bartender to make the label editing convenient and easy.



| Model                |                       | iT4P  |
|----------------------|-----------------------|---|
| Print spec           | Printing Method       | Thermal transfer  |
|                      | Resolution            | 203 dpi / 300 dpi   |
|                      | Max. Printing Speed   | 8 ips(203 dpi) / 6 ips(300 dpi)   |
|                      | Max. Printing Width   | 108 mm(203 dpi) / 106 mm(300 dpi)   |
|                      | Printing Length       | 2286 mm(203 dpi) / 1524 mm(300 dpi)   |
| Media                | Protocol              | Compatible ZPL-II, EPL2, DPL, TSPL  |
|                      | Width                 | 25.4 mm ~ 118 mm  |
|                      | Thickness             | 60 μm ~ 250 μm  |
| Ribbon spec          | Roll                  | 127 mm  |
|                      | Type                  | Wax, Wax/Resin, Resin   |
|                      | Width                 | 30 mm ~ 110 mm  |
|                      | Inradius              | 25.4 mm   |
| Font                 | Max.Length            | 300 m   |
|                      | Resident Fonts        | Alphanumeric, simplified Chinese, traditional Chinese, 29 international character sets  |
|                      | Download Fonts        | Support   |
| Barcode              | Linear                | UPC-A, UPC-E, EAN128, Codabar, CODE128, CODE39, CODE93, EAN-8, EAN-13, UCC/EAN128, POSTNET, ITF14, HIBC, MSI, Plessey, Telepen, FIM, GS1 DataBar, German Post Code, Planet 11 & 13, Japanese Postnet, Interleaved 2 of 5, Standard 2 of 5, Industrial 2 of 5, Logmars, CODE11 |
|                      | 2D                    | CODE49, CODABLOCK, PDF417, Data Matrix, Maxicode, QR Code, MicroPDF471, Aztec   |
| Sensor               | Gap Sensor            | Transmissive (Fixed, Dual)  |
|                      | Black mark Sensor     | Reflective (Adjustable, Full-Range)   |
|                      | Other                 | Paper out detect, Ribbon out detect, Printerhead open detection, Print head temperature detect  |
| Interfaces           | Standard              | USB Type B, USB HOST, RS232, Ethernet   |
|                      | Optional              | Wi-Fi and Bluetooth   |
| Display              |                       | 3.5-inch TFT Touch Screen   |
| RTC Function         |                       | Equipped  |
| Memory               | RAM                   | 128 MB  |
|                      | Flash                 | 256 MB  |
| Electrical           | Input                 | AC 100~240 V, 50/60 Hz  |
|                      | Output                | DC 24 V, 2.5 A  |
| Environmental        | Memory                | 5°C ~ 50 °C, humidity 25% ~ 85%, non-condensing   |
|                      | Operation             | -40°C ~ 60 °C, humidity 10% ~ 90%, non-condensing   |
| Software             | Driver                | Windows 7/8/8.1/10, Windows Server 2008/2012/2016, Linux, MacOS   |
|                      | Label Design Software | BarTender 2019 UltraLite  |
| Options & Accessory  |                       | T4P External label Peeler Module, T4GC External Cutter Module, External Label Roll Holder   |
| Dimension (L×W×H mm) |                       | 293×237×180   |
| Weight (Kg)          |                       | 2.85  |
| Agency Approval      |                       | CE EMC(EN 55022 Class B), FCC EMC(Class A), CCC, RoHS   |



Fecha de actualización: 28-09-2023



[www.tecflex.com](http://www.tecflex.com)



993586518



(01) 206 - 4510 anexo 143



[marketing@tecflex.com](mailto:marketing@tecflex.com)



Av. Pershing 176, Magdalena del Mar Lima - Perú